

READY SPRAY

Ready-to-use spray disinfectant
without alcohol for surfaces
1000 ml



Product Specifications

* CHEMICAL COMPOSITION

Benzalkonium chloride, Didecyldimethylammoniumchloride and excipients

* PRODUCT SPECIFICATIONS

Ready Spray is ready-to-use and has an extended antimicrobial action spectrum with the quaternary ammonium compounds in its composition. It does not contain aldehyde, phosphate and alcohol. It is recommended to use on surfaces with metal parts since it contains corrosion inhibitor. Ready Spray is compatible with glass, ceramic, silicone, plastic (including Plexiglas), wood and stainless steel materials.

* AREAS OF USE

It is used for the cleaning and disinfection of all horizontal and vertical surfaces and especially incubators, PVC epoxy areas, floors, walls, ultrasonography probes, incubators, aerators and micromotor tips used in dentistry, disinfection requiring medical devices and equipment in ENT units as well as operating rooms, intense care rooms, in the hospitals that require quick disinfection.

* USE

Ready Spray, is a ready-to-use spray disinfectant suitable for use on all horizontal and vertical surfaces. It is sprayed from a distance of 30cm-40cm . It takes 60 seconds for the effect to appear. It is wiped with a clean cloth and allowed to dry.

* ANTI-MICROBIAL CHARACTERISTICS

Bactericide, Fungicide, Virucide, Mycobactericide, Tuberculocide

Product

Item.-no
Content

Ref:5410
1

Quality Features

ISO / EN
ISO / EN
ISO / EN
ISO / EN
CE
CAS
BauA (Germany)

EN13727
EN14476
EN13704
EN14348 EN 13624
CE 2195, 93/42 EEC
7173-51-5, 68391-01-5
N-97283

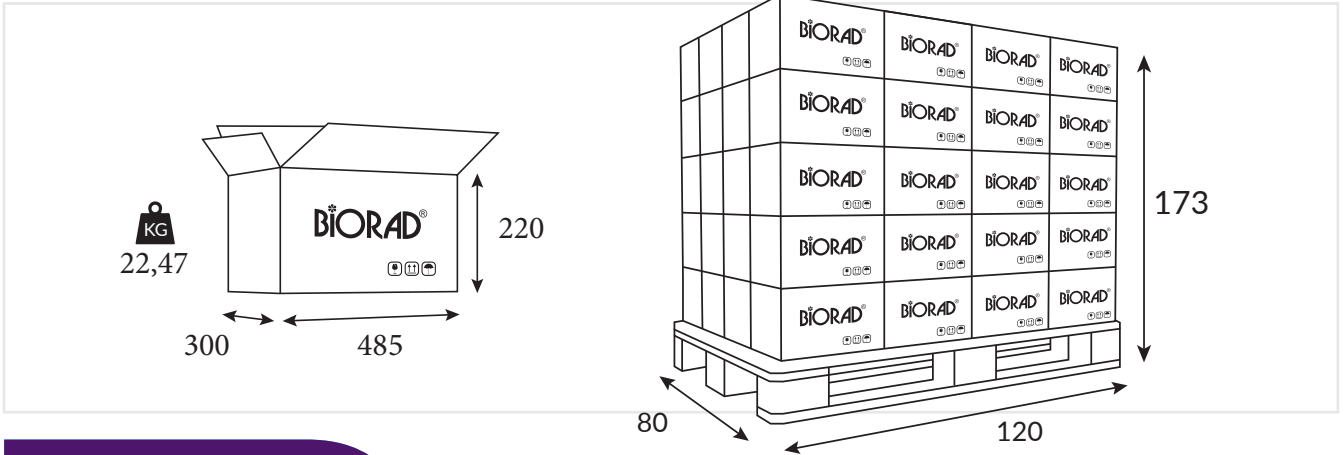
READY SPRAY

Ready-to-use spray disinfectant
without alcohol for surfaces
1000 ml



Packing

Quantity Inner Packing	1
Quantity Outer Packing	16
Quantity Per Pallet	42
Product Units Per Pallet	672
Pallet Dimensions cm	120x80
LxWxH Outer Packing in mm	485 X 300 X 220
Volume in m ³ Outer Packing	0,04031m ³
Gross Weight Outer Packing in KG	22,47 KG
Content Wight ml = gr.	995 gr.



Labeling

HS Code	380894900019
Country of Origin	Türkiye
EAN Code Inner Packing	8699856750041
EAN Code Outer Packing	
Shelf Life	Two Years

Do you need more detailed information? We are happy to help!

The technical data are average production values and may vary slightly in individual cases. Subject to changes, no guarantee for printing errors or mistakes.