

CLEAN AK SPRAY

With Trigger

Ready-to-use 70% alcohol-based disinfectant for surfaces

1000 ml



Product Specifications

* CHEMICAL COMPOSITION

Didecylidimethylammoniumchloride , Propane-2-ol, Ethanol, Corrosion inhibitor and excipients

* PRODUCT SPECIFICATIONS

It is an alcohol based, anti-corrosive product which has a pleasant odor and used for the quick disinfection of medical device surfaces. It is dermatologically tested. It is used as an aid in the quick disinfection of all medical devices, manual instruments, equipment and their surfaces which are alcohol-resistant and suitable for moistening according to the medical devices regulation.

* AREAS OF USE

It is used for the cleaning and disinfection of all horizontal and vertical surfaces and especially PVC epoxy areas, floors, walls, ultrasonography probes, incubators, aerators and micromotor tips used in dentistry, stethoscopes, cabinets, doors, examination, disinfection requiring medical devices and equipment in ENT units as well as operating rooms, intense care rooms, sickbed edges, iv holders, microscopes, areas contacting with hands and skin and tools contacting with patients' skin in the hospitals that require quick disinfection.

* USE

Clean+Ak Spray, is a ready-to-use spray disinfectant suitable for use on all horizontal and vertical surfaces. It is sprayed from a distance of 30cm-40cm . It takes 30 seconds for the effect to appear. It is wiped with a clean cloth and allowed to dry.

* ANTI-MICROBIAL CHARACTERISTICS

Bactericidal, Fungicidal, Virucidal, Mycobactericidal, Tuberculocidal

Product

Item.-no

Ref:5001

Content

1

Quality Features

ISO / EN

EN1276, EN 1650

ISO / EN

EN14348

ISO / EN

EN14476

ISO / EN

EN13727

ISO / EN

EN13624

ISO / EN

EN13704

CE

CE 2195, 93/42 EEC

CAS

64-17-5, 7173-51-5, 67-63-0

BauA (Germany)

N-97282

CLEAN AK SPRAY

With Trigger

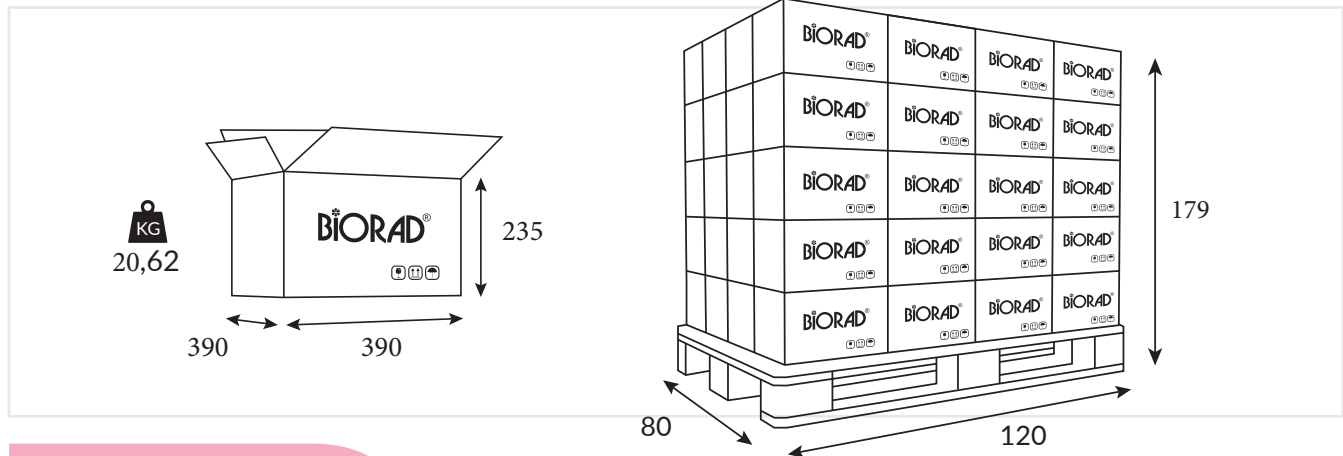
Ready-to-use 70% alcohol-based disinfectant for surfaces

1000 ml



Packing

Quantity Inner Packing	1
Quantity Outer Packing	16
Quantity Per Pallet	42
Product Units Per Pallet	672
Pallet Dimensions cm	120x80
LxWxH Outer Packing in mm	390 x 390 x 235
Volume in m ³ Outer Packing	0,04031 m ³
Gross Weight Outer Packing in KG	20,62 KG
Content Wight ml = gr.	910 gr.



Labeling

HS Code	340130000000
Country of Origin	Turkey
EAN Code Inner Packing	8699856750317
EAN Code Outer Packing	
Shelf Life	Two Years

Do you need more detailed information? We are happy to help!

The technical data are average production values and may vary slightly in individual cases. Subject to changes, no guarantee for printing errors or mistakes.