

### **DERMAX** 1000 ml

Skin Antiseptic  
70% Ethyl Alcohol,  
0,5% Chlorhexidine gluconate



#### Product Specifications

##### \* CHEMICAL COMPOSITION

70% Ethyl Alcohol (Ethanol), 0,5% Chlorhexidine gluconate, Moisturizing and softening agents, excipients

##### \* PRODUCT SPECIFICATIONS

BIORAD DERMALIN for fast, permanent and total antisepti skin antiseptic containing alcohol and chlorhexidine gluconate, applied to the skin and acting in a short time. It provides the most effective and quick antisepti of the contaminant bacteria and other microorganisms on skin with its alcohol and chlorhexidine gluconate based structure. It softens and protects the skin. It is dermatologically tested.

##### \* AREAS OF USE

BIORAD DERMALIN, Preoperative surgical hand and forearm antisepti (surgical hand washing), skin incision area to prevent gross contamination in their washing, It is used in operating rooms, intensive care units and wherever healthcare services requiring surgical hand and skin antisepti are provided.

##### \* USE

To eliminate gross contamination; skin preparation of the incision area from inside to outside It should be done in the form of concentric circles. Incision area during surgical intervention Considering that it will expand and a drain may be placed; The area to be antisepti with the product is larger should be kept. Preoperative surgical hand and forearm antisepti (surgical hand washing); Take 5 ml of BIORAD DERMALIN on the hand and apply it to the hands, wrists and elbows for at least 3 minutes until it dries

##### \* ANTI-MICROBIAL CHARACTERISTICS

Bactericide, Fungicide, Virucide, Mycobactericide, Tuberculocide

#### Product

Item.-no	Ref:6168
Content	1

#### Quality Features

ISO / EN	
ISO / EN	
ISO / EN	EN14476
ISO / EN	EN13727
ISO / EN	EN14348
ISO / EN	EN13624
ISO / EN	
CAS	18472-51-0, 64-17-5
Biocidal Licence Number	2020/G470

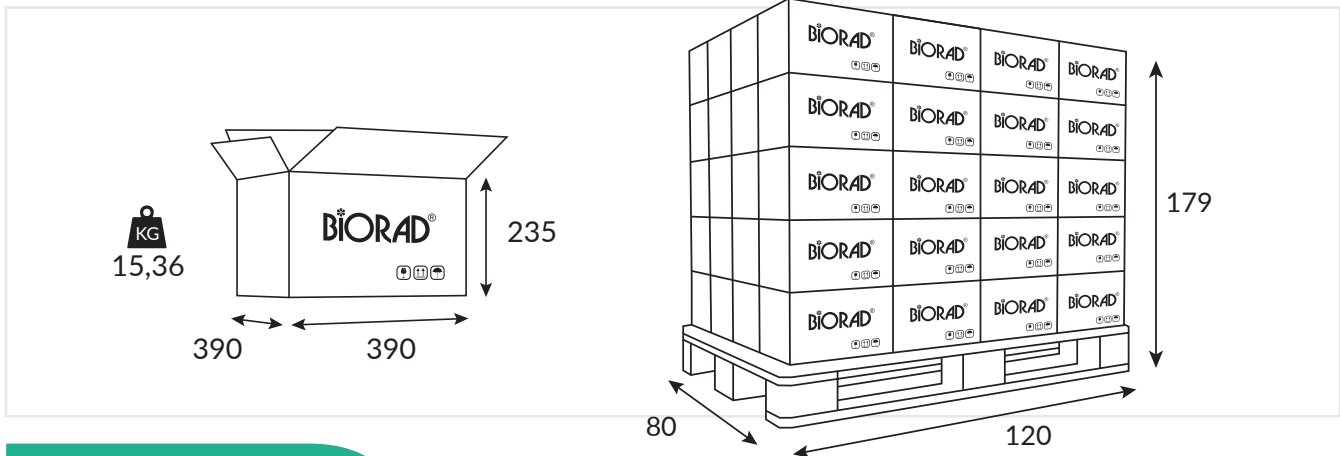
### **DER MAX** 1000 ml

Skin Antiseptic  
70% Ethyl Alcohol,  
0,5% Chlorhexidine gluconate



#### Packing

Quantity Inner Packing	1
Quantity Outer Packing	16
Quantity Per Pallet	42
Product Units Per Pallet	672
Pallet Dimensions cm	120x80
LxWxH Outer Packing in mm	390x390x235
Volume in m <sup>3</sup> Outer Packing	0,0357435 m <sup>3</sup>
Gross Weight Outer Packing in KG	15,36 KG
Content Wight ml = gr.	860 gr.



#### Labeling

HS Code	380894900010
Country of Origin	Turkey
EAN Code Inner Packing	8699856752021
EAN Code Outer Packing	
Shelf Life	Two Years

Do you need more detailed information? We are happy to help!

The technical data are average production values and may vary slightly in individual cases. Subject to changes, no guarantee for printing errors or mistakes.