

### GDA 2%

High Level Medical Instrument and Endoscope Disinfectant  
Ready to Use / Liquid  
5000 ml



#### Product Specifications

##### \* CHEMICAL COMPOSITION

2% Glutaraldehyde, Anticorrosive agents, formulators and deoxygenized water

##### \* PRODUCT SPECIFICATIONS

With its 2% GDA formulation, it is an effective product designed for high-level disinfection of surgical instruments and endoscopes, with antimicrobial, anticorrosive 30 days use feature. It is a colorless, odorless, non-toxic ready-to-use instrument disinfectant that does not contain phenol, chlorine and formaldehyde, used for the disinfection of medical instruments, flexible and rigid endoscopes.

##### \* AREAS OF USE

GDA 2% solution is used for disinfection of all kinds of surgical instruments, heat-labile anesthesia accessories (mask ambu, etc.) and all fixed and flexible endoscopes such as Karl storz, Olympus, Pentax, Fujinon, flexible and rigid, as well as all types of surgical instruments and laparoscopic instruments. It is very suitable for disinfection. It does not cause any damage such as rusting, corrosion, softening or discoloration on the endoscope covers. GDA 2% solution is suitable for disinfection of medical devices made of rubber, plastic, glass, PVC, acrylic, polymer, polycarbon, polystyrene, HDPE, porcelain and stainless steel materials.

##### \* USE

It is suitable for GDA 2% endoscope washing machines and for manual use. The effectiveness can easily be checked with test strips. It is recommended to change this if there is visible contamination in the solution. It is recommended to change the solution when a visible contamination occurs. 25-32 gr. for 5lt. Sodium bisulfate is mixed and disposed of according to appropriate regulations. Follow the user instructions given by the manufacturer when using in automatic endoscope washing and disinfection machines.

##### \* ANTI-MICROBIAL CHARACTERISTICS

Bactericide, Fungicide, Virucide, Mycobactericide, Sporicide, Tuberculocide

#### Product

Item.-no	Ref:5401
Content	1

#### Quality Features

ISO / EN	EN13727
ISO / EN	EN14476
ISO / EN	EN13624
ISO / EN	EN14348
ISO / EN	EN13704
ISO / EN	EN1650
CAS	111-30-8
CE	CE 2195, 93/42 EEC

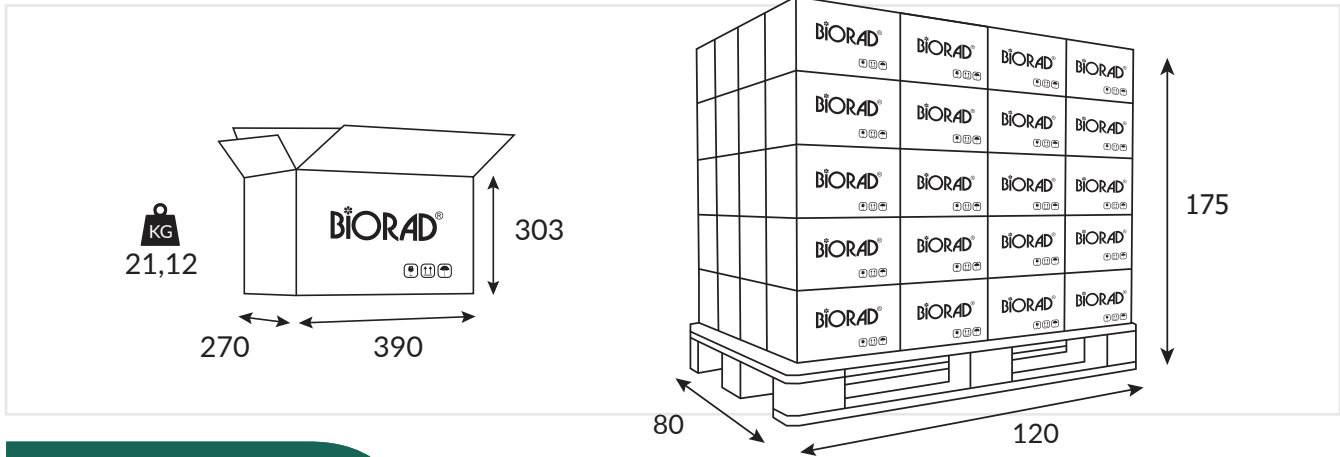
### GDA %2

High Level Medical Instrument and  
Endoscope Disinfectant  
Ready to Use / Liquid  
**5000 ml**



#### Packing

Quantity Inner Packing	1
Quantity Outer Packing	4
Quantity Per Pallet	40
Product Units Per Pallet	160
Pallet Dimensions cm	120x80
LxWxH Outer Packing in mm	390x270x303
Volume in m <sup>3</sup> Outer Packing	0,03191 m <sup>3</sup>
Gross Weight Outer Packing in KG	21,12 KG
Content Wight ml = gr.	4.930 gr.



#### Labeling

HS Code	340130000000
Country of Origin	Turkey
EAN Code Inner Packing	8699856750089
EAN Code Outer Packing	
Shelf Life	3 Years

Do you need more detailed information? We are happy to help!

The technical data are average production values and may vary slightly in individual cases. Subject to changes, no guarantee for printing errors or mistakes.