

LIQUID PA

High Level Medical Instrument and Endoscope Disinfectant
Ready to Use / Liquid
5000 ml



Product Specifications

* CHEMICAL COMPOSITION

It contains peracetic acid, hydrogen peroxide, anti-corrosive agents and deionised water.

* PRODUCT CHARACTERISTICS

LIQUID PA is suitable for use with endoscope washing machines and for manual use. After activated, it becomes ready to use. It is used for equipment cleaned in advance. It disinfects and sterilizes in 5 minutes, and usable for 14 days without loss of action. It is easily checked with test strips. It is a ready-to-use, colourless, odourless, nontoxic disinfectant containing no phenol, chlorine and formaldehyde to disinfect medical equipment, flexible and rigid endoscopes.

* USAGE

Liquid Pa solution becomes ready to use by mixing base and activator. Empty the activator bottle completely into the base drum and agitate to make it homogenous. And submerge the precleared equipment into Liquid PA solution completely. Wait for action for 5 minutes and then take out the equipment from the solution and rinse with distilled water and dry it. When using it with automatic endoscope washing machine and disinfection machines, please comply with the user instructions given by the manufacturer.

* INTENDED USE

Liquid PA solution is very suitable for disinfection of any type of surgical equipment, heat-sensitive anaesthetic accessories (ambu mask, etc.) and all endoscopes such as Karl Storz, Olympus, Pentax, Fujinon, flexible and rigid) and for disinfection of all kinds of surgical equipment and laparoscopy equipment. It does not cause any harm on the endoscope covers such as rust, corrosion, softening, colour change, etc. Liquid Pa solution is suitable for disinfection of medical equipment made of rubber, plastic, glass, PVC, acrylic, polymer, polycarbonate, polystyrene, HDPE, porcelain and stainless steel.

* ANTIMICROBIAL CHARACTERISTICS

Bactericidal, Fungicidal, Sporocidal, Virucidal, Tuberculocidal, Mycobactericidal.

Product

Item.-no
Content

Ref:5557
1

Quality Features

ISO / EN
ISO / EN
ISO / EN
ISO / EN
ISO / EN
ISO / EN
ISO / EN
CAS
CE

EN13727
EN13704
EN13624
EN14476
EN14348

79-21-0, 7722-84-1
CE 2195, 93/42 EEC

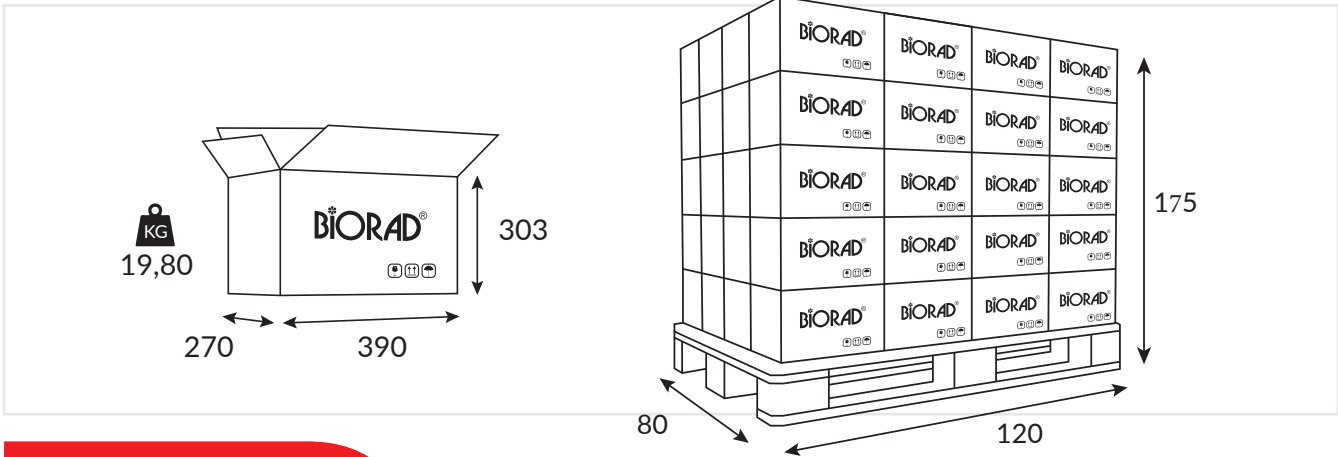
LIQUID PA

High Level Medical Instrument and
Endoscope Disinfectant
Ready to Use / Liquid
5000 ml



Packing

Quantity Inner Packing	1
Quantity Outer Packing	4
Quantity Per Pallet	40
Product Units Per Pallet	160
Pallet Dimensions cm	120x80
LxWxH Outer Packing in mm	390x270x303
Volume in m ³ Outer Packing	0,03191 m ³
Gross Weight Outer Packing in KG	19,80 KG
Content Wight ml = gr.	4.600 gr.



Labeling

HS Code	380894900019
Country of Origin	Turkey
EAN Code Inner Packing	8699856754575
EAN Code Outer Packing	
Shelf Life	Two Years

Do you need more detailed information? We are happy to help!

The technical data are average production values and may vary slightly in individual cases. Subject to changes, no guarantee for printing errors or mistakes.