

### **THERMO CLEAN%21** Hemodialysis Device Disinfectant Concentrated / Liquid 5000 ml



#### Product Specifications

##### \* CHEMICAL COMPOSITION

21% Citric Acid, Monohydrate, 2.5% Malic Acid, 2.5% Lactic Acid and auxiliary agents

##### \* PRODUCT SPECIFICATIONS

THERMO CLEAN %21 provides cleaning, decalcification and disinfection of organic and inorganic waste that forms on the generator and lines of haemodialysis equipment during haemodialysis process. It is compliant with stainless steel, plastic materials and ceramic surfaces. It should not contact with plexiglass and aluminium surfaces.

##### \* INTENDED USE

Thermo Clean %21 is compliant with stainless steel, glass, plastic materials and ceramic surfaces. Do not use it on sensitive surfaces such as plexiglass and aluminium that may react with acids.

##### \* USAGE

Thermo Clean %21 is used by automatic vacuum through disinfection pipette of the haemodialysis machines. It is recommended to use it at rate of 1/120. pH=1-3

##### \* ANTIMICROBIAL CHARACTERISTICS

Bactericidal, Fungicidal, Virucidal, Mycobactericidal, Tuberculocidal

#### Product

Item.-no  
Content

Ref:5442  
1

#### Quality Features

ISO / EN  
ISO / EN  
ISO / EN  
ISO / EN  
ISO / EN  
CAS  
CE

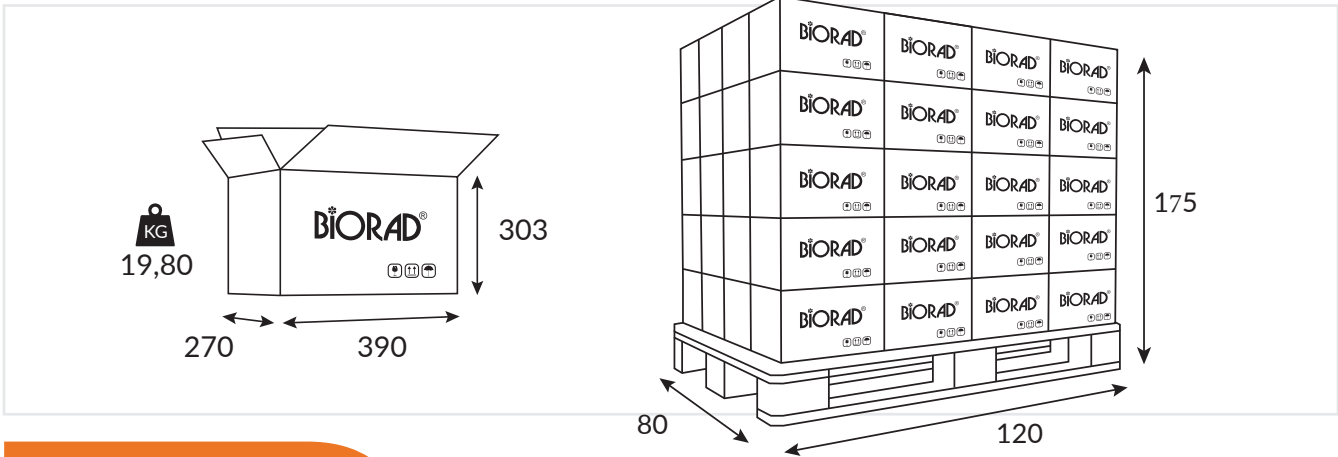
EN14476  
EN13727  
EN14348  
EN13624  
5949-29-1, 617-48-1, 50-21-5  
CE 2195, 93/42 EEC

### **THERMO CLEAN%21** Hemodialysis Device Disinfectant Concentrated / Liquid 5000 ml



#### Packing

Quantity Inner Packing	1
Quantity Outer Packing	4
Quantity Per Pallet	40
Product Units Per Pallet	160
Pallet Dimensions cm	120x80
LxWxH Outer Packing in mm	390x270x303
Volume in m <sup>3</sup> Outer Packing	0,03191 m <sup>3</sup>
Gross Weight Outer Packing in KG	19,80 KG
Content Wight ml = gr.	4.600 gr.



#### Labeling

HS Code	340130000000
Country of Origin	Turkey
EAN Code Inner Packing	8699856750300
EAN Code Outer Packing	
Shelf Life	Two Years

Do you need more detailed information? We are happy to help!

The technical data are average production values and may vary slightly in individual cases. Subject to changes, no guarantee for printing errors or mistakes.